

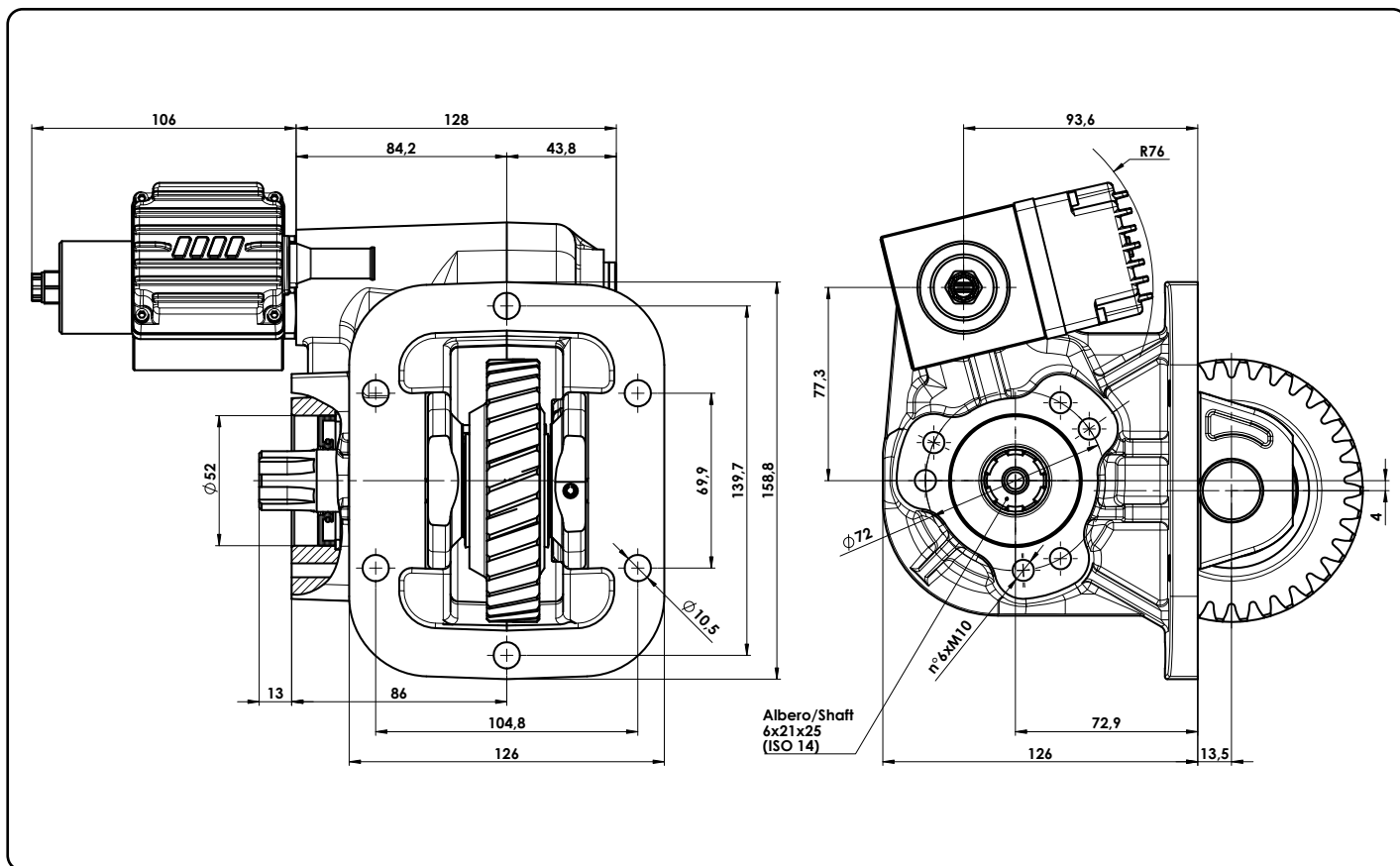
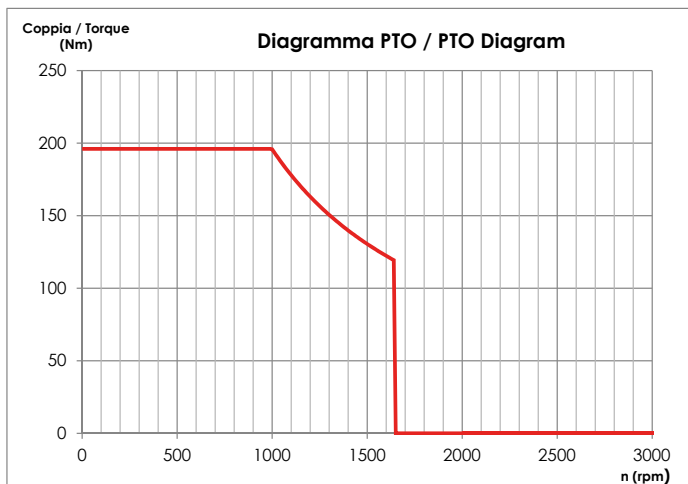
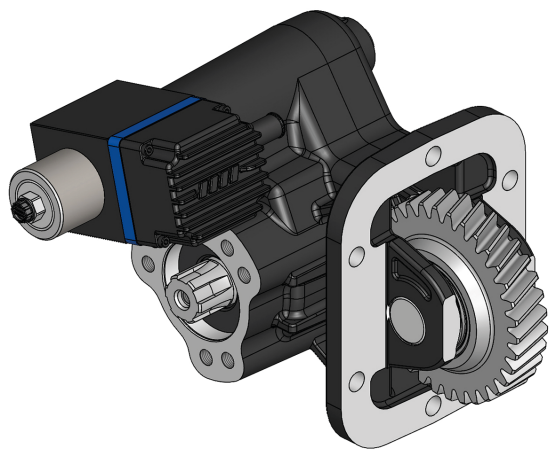
**PRESA DI FORZA A
COMANDO ELETTROMAGNETICO
ELECTROMAGNETIC CLUTCH
POWER TAKE-OFF**

CODICE PTO
PTO CODE

07159710133

CAMBIO
GEARBOX

ISUZU



Tipo cambio Gearbox	Codice PTO PTO code	Versione Version	Giri pto a 1000 giri motore Pto ratio@1000 eng.rpm	Coppia massima Max torque	Lato montaggio Mounting side	Uscita Output	Rotazione Rotation	Kit di montaggio Mounting kit	Peso Weight
ISUZU MYZ 6Z	07159710133	13	715 rpm	196 Nm	Sx Left	Poster. Rear	Orario Cw	15400303240	10 Kg

pag.1



O.M.F.B. S.p.A. Hydraulic Components
We reserve the right to make any changes without notice.
Edition 2021.11 No reproduction, however partial, is permitted.
Via Cave, 7/9 25050 Provaglio d'Iseo (Brescia) Italy Tel.: +39.030.9830611
Fax: +39.030.9839207-208 Internet:www.omfb.it e-mail:contatti@omfb.it

**COMPANY WITH
QUALITY SYSTEM
CERTIFIED BY DNV GL
= ISO 9001:2015 =**

26/11/2021

99727159713 Rev: //