

## Steel 3way tipper



Code	Boards	External Dimensions
M 155 022 453 - M30 B	Double wall TR30 reinforced aluminium	3800x2300 mm

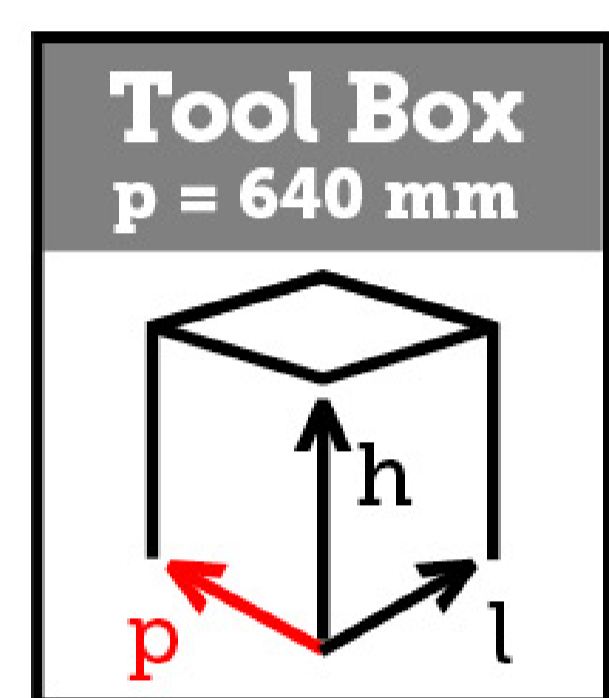
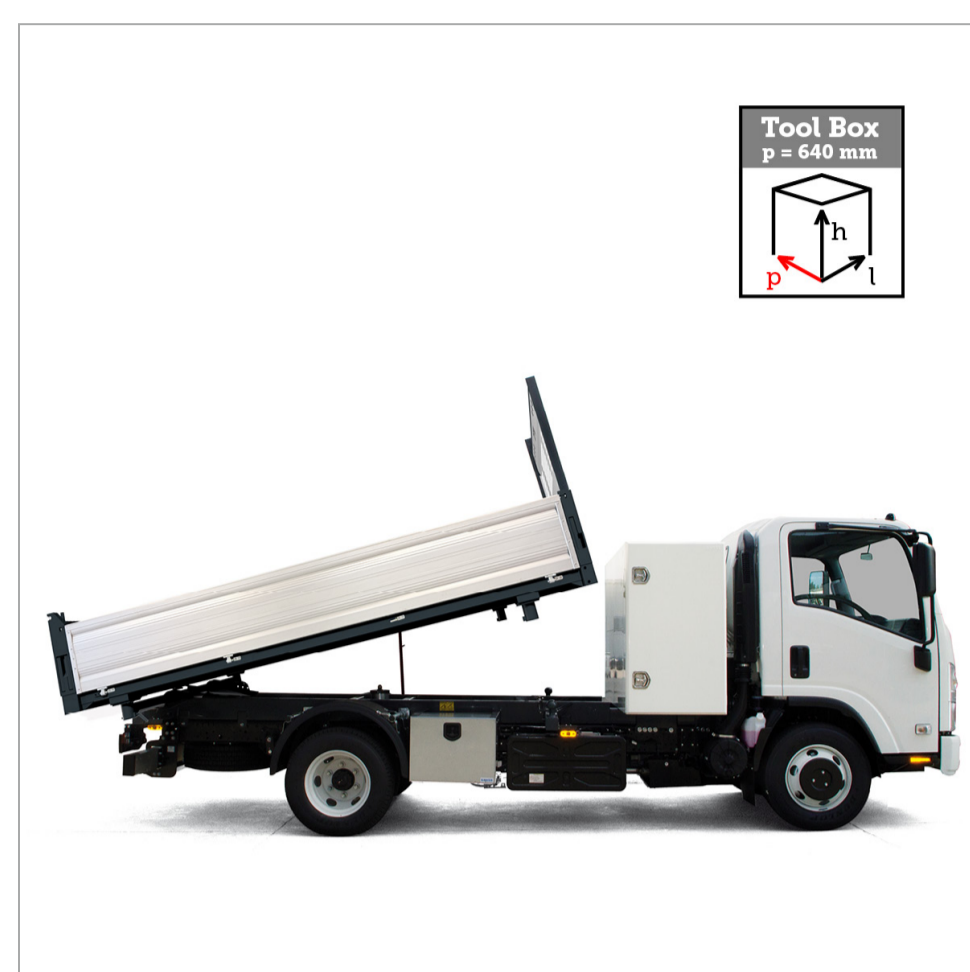
Aluminium sideboards from 500 mm top opening only

Aluminium tailgate from 500 mm with double opening and automatic release

- Loading deck structure in S355JR steel th. 4 mm
- Steel subframe with horizontal spheres
- Steel front board from 500 mm with ladder rack and perforated protection panel
- Side and rear boards from 500 mm in aluminium
- Front and rear pillars screwed and removable with integrated foldaway
- Recessed foldway rope stretching ring (4+4)
- Removable rear ladder rack
- Steel spheres supports with anti-vibration PVC cap
- Thermoplastic mudguards
- Tool box
- Homologated side guards
- 2 KGS powder fire extinguisher
- Hydraulic system with P.T.O., safety fuse and buzzer
- Chromed and galvanised multistage under floor ram, wear resistant, weather resistant and rust resistant with safety valve
- Cataphoresis treatment and powder coating
- Lights and tables according to regulations

NOTE: The information and images - including the colors of the products - concerning equipment, external appearance, measurements, etc. are to be considered purely indicative and in no way binding. TITAN reserves the right to change features, specifications, data, prices without notice. The prices indicated on the Site are in no way binding for contractual purposes and may vary according to the duration of the price list. Prices are always VAT free. For updated and punctual information on products and prices, TITAN invites users to contact its sales network.

## Steel 3way tipper with retrocab storage box H. 1200 mm



Code	Boards	External Dimensions
M 155 022 576 - M30 B	Double wall TR30 reinforced aluminium	3800x2300 mm

Aluminium sideboards from 500 mm top opening only

Aluminium tailgate from 500 mm with double opening and automatic release

- Loading deck structure in S355JR steel th. 4 mm
- Steel subframe with horizontal spheres
- Steel front board from 500 mm with ladder rack and perforated protection panel
- Side and rear boards from 500 mm in aluminium
- Front and rear pillars screwed and removable with integrated foldaway
- Recessed foldway rope stretching ring (4+4)
- Removable rear ladder rack
- Steel spheres supports with anti-vibration PVC cap
- Thermoplastic mudguards
- Tool box
- Homologated side guards
- 2 KGS powder fire extinguisher
- Hydraulic system with P.T.O., safety fuse and buzzer
- Chromed and galvanised multistage under floor ram, wear resistant, weather resistant and rust resistant with safety valve
- Cataphoresis treatment and powder coating
- Lights and tables according to regulations

**Supply and Mounting of retrocab storage box ext. dimensions 640x1200x1950 mm** of 2 mm width steel, painted with epoxy powder white ISUZU colour, plastic internal mat, aluminium hinges, central shelf bracket, double opening, locks euroinox.

## Steel 3way tipper with FASSI F50A.0.23 crane



Code	Boards	External Dimensions
M 155 023 412 - M30 B	Double wall TR30 reinforced aluminium	3800x2300 mm

Aluminium sideboards from 500 mm top opening only

Aluminium tailgate from 500 mm with double opening and automatic release



- Loading deck structure in S355JR steel th. 4 mm
- Steel subframe with horizontal spheres
- Steel front board from 500 mm with ladder rack and perforated protection panel
- Side and rear boards from 500 mm in aluminium
- Front and rear pillars screwed and removable with integrated foldaway
- Recessed foldway rope stretching ring (4+4)
- Removable rear ladder rack
- Steel spheres supports with anti-vibration PVC cap
- Thermoplastic mudguards
- Tool box
- Homologated side guards
- 2 KGS powder fire extinguisher
- Hydraulic system with P.T.O., safety fuse and buzzer
- Chromed and galvanised multistage under floor ram, wear resistant, weather resistant and rust resistant with safety valve
- Cataphoresis treatment and powder coating
- Lights and tables according to regulations

**Supply and mounting of FASSI F50A.O.23 crane (3 hydraulic extensions)**

NOTE: The information and images - including the colors of the products - concerning equipment, external appearance, measurements, etc. are to be considered purely indicative and in no way binding. TITAN reserves the right to change features, specifications, data, prices without notice. The prices indicated on the Site are in no way binding for contractual purposes and may vary according to the duration of the price list. Prices are always VAT free. For updated and punctual information on products and prices, TITAN invites users to contact its sales network.

## Steel 3way tipper with Palfinger PK4200 B crane



Code	Boards	External Dimensions
M 155 023 414 - M30 B	Double wall TR30 reinforced aluminium	3800x2300 mm

Aluminium sideboards from 500 mm top opening only

Aluminium tailgate from 500 mm with double opening and automatic release

- Loading deck structure in S355JR steel th. 4 mm
- Steel subframe with horizontal spheres
- Steel front board from 500 mm with ladder rack and perforated protection panel
- Side and rear boards from 500 mm in aluminium
- Front and rear pillars screwed and removable with integrated foldaway
- Recessed foldway rope stretching ring (4+4)
- Removable rear ladder rack
- Steel spheres supports with anti-vibration PVC cap
- Thermoplastic mudguards
- Tool box
- Homologated side guards
- 2 KGS powder fire extinguisher
- Hydraulic system with P.T.O., safety fuse and buzzer
- Chromed and galvanised multistage under floor ram, wear resistant, weather resistant and rust resistant with safety valve
- Cataphoresis treatment and powder coating
- Lights and tables according to regulations

**Supply and mounting of Palfinger PK4200 B crane (3 hydraulic extensions)**



NOTE: The information and images - including the colors of the products - concerning equipment, external appearance, measurements, etc. are to be considered purely indicative and in no way binding. TITAN reserves the right to change features, specifications, data, prices without notice. The prices indicated on the Site are in no way binding for contractual purposes and may vary according to the duration of the price list. Prices are always VAT free. For updated and punctual information on products and prices, TITAN invites users to contact its sales network.

## Steel 3way tipper with Palfinger PK4200 B crane



Code	Boards	External Dimensions
M 155 023 415 - M30 B	Fratted steel	3800x2300 mm

Fratted steel sideboards from 500 mm top opening only

Fratted steel tailgate from 500 mm with double opening and automatic release

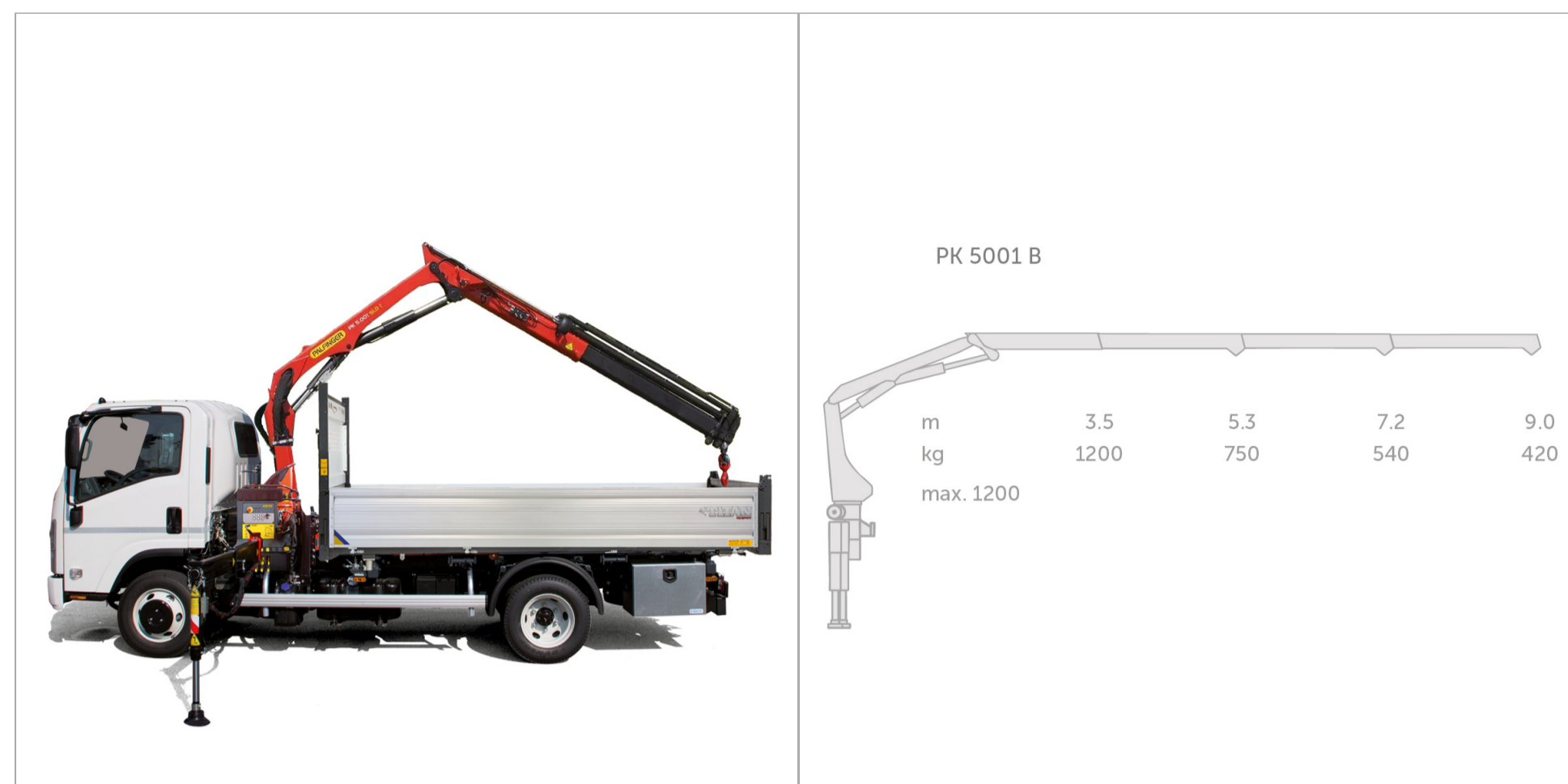
- Loading deck structure in S355JR steel th. 4 mm
- Steel subframe with horizontal spheres
- Steel front board from 500 mm with ladder rack and perforated protection panel
- Side and rear boards from 500 mm in fratted steel
- Front and rear pillars screwed and removable with integrated foldaway
- Recessed foldway rope stretching ring (4+4)
- Removable rear ladder rack
- Steel spheres supports with anti-vibration PVC cap
- Thermoplastic mudguards
- Tool box
- Homologated side guards
- 2 KGS powder fire extinguisher
- Hydraulic system with P.T.O., safety fuse and buzzer
- Chromed and galvanised multistage under floor ram, wear resistant, weather resistant and rust resistant with safety valve
- Cataphoresis treatment and powder coating
- Lights and tables according to regulations

**Supply and mounting of Palfinger PK4200 B crane (3 hydraulic extensions)**



NOTE: The information and images - including the colors of the products - concerning equipment, external appearance, measurements, etc. are to be considered purely indicative and in no way binding. TITAN reserves the right to change features, specifications, data, prices without notice. The prices indicated on the Site are in no way binding for contractual purposes and may vary according to the duration of the price list. Prices are always VAT free. For updated and punctual information on products and prices, TITAN invites users to contact its sales network.

## Steel 3way tipper with Palfinger PK5001 B crane



Code	Boards	External Dimensions
M 155 023 418 - M30 B	Double wall TR30 reinforced aluminium	3800x2300 mm

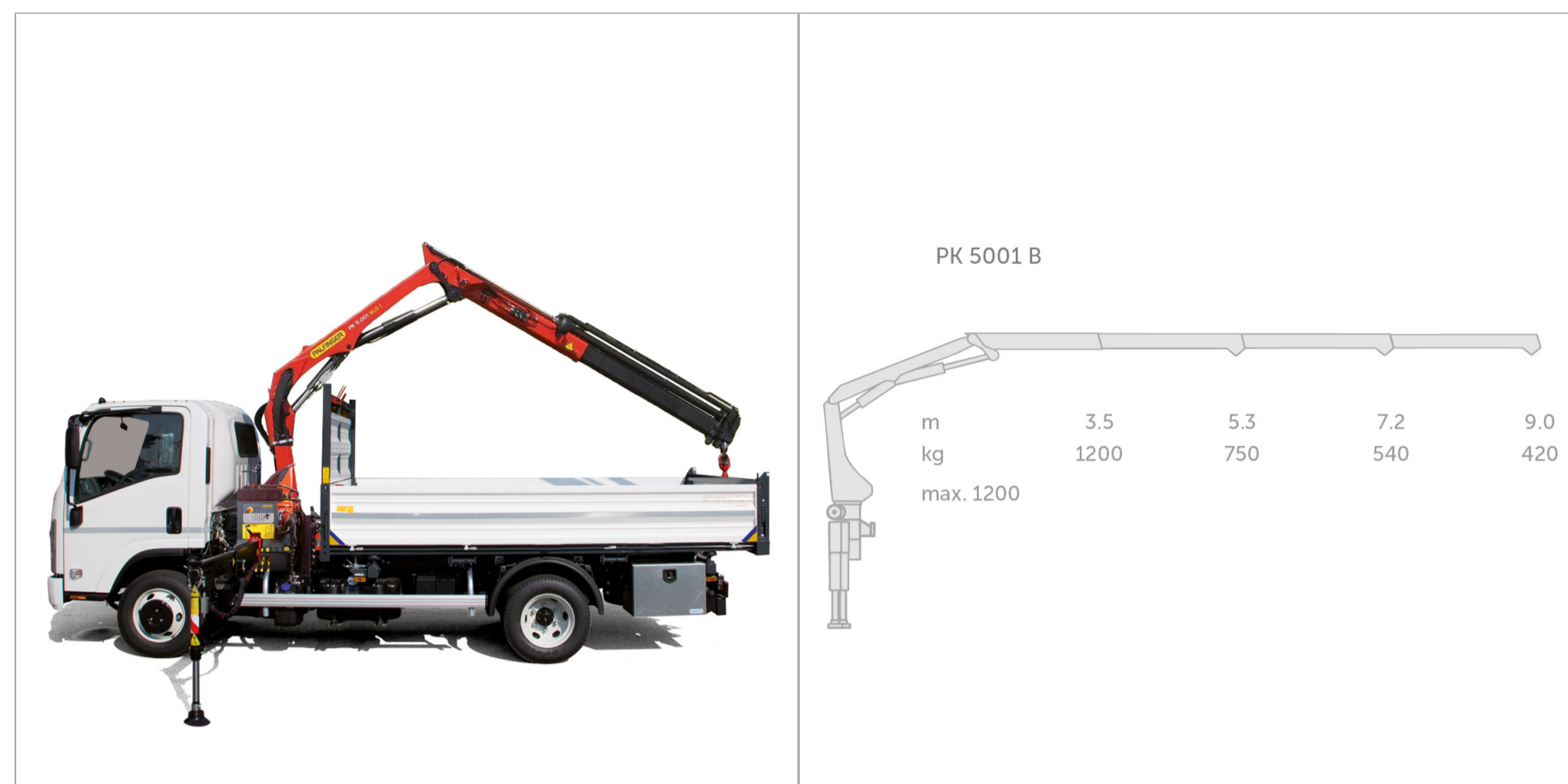
Aluminium sideboards from 500 mm top opening only

Aluminium tailgate from 500 mm with double opening and automatic release

- Loading deck structure in S355JR steel th. 4 mm
- Steel subframe with horizontal spheres
- Steel front board from 500 mm with ladder rack and perforated protection panel
- Side and rear boards from 500 mm in aluminium
- Front and rear pillars screwed and removable with integrated foldaway
- Recessed foldway rope stretching ring (4+4)
- Removable rear ladder rack
- Steel spheres supports with anti-vibration PVC cap
- Thermoplastic mudguards
- Tool box
- Homologated side guards
- 2 KGS powder fire extinguisher
- Hydraulic system with P.T.O., safety fuse and buzzer
- Chromed and galvanised multistage under floor ram, wear resistant, weather resistant and rust resistant with safety valve
- Cataphoresis treatment and powder coating
- Lights and tables according to regulations

**Supply and mounting of Palfinger PK5001 B crane (3 hydraulic extensions)**

## Steel 3way tipper with Palfinger PK5001 B crane



Code	Boards	External Dimensions
M 155 023 419 - M30 B	Fratted steel	3800x2300 mm

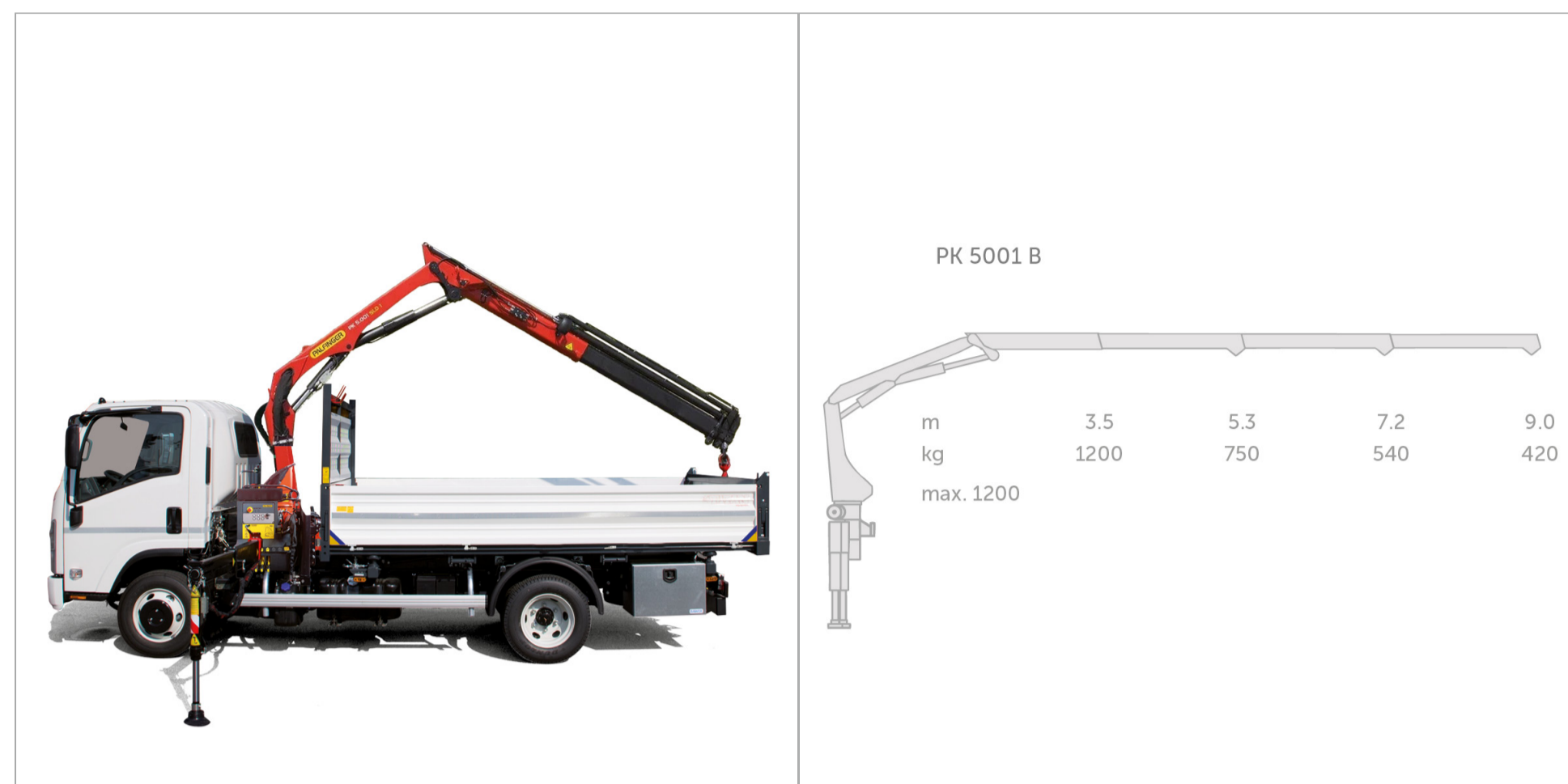
- Fratted steel sideboards from 500 mm top opening only
- Fratted steel tailgate from 500 mm with double opening and automatic release

- Loading deck structure in S355JR steel th. 4 mm
- Steel subframe with horizontal spheres
- Steel front board from 500 mm with ladder rack and perforated protection panel
- Side and rear boards from 500 mm in fratted steel
- Front and rear pillars screwed and removable with integrated foldaway
- Recessed foldway rope stretching ring (4+4)
- Removable rear ladder rack
- Steel spheres supports with anti-vibration PVC cap
- Thermoplastic mudguards
- Tool box
- Homologated side guards
- 2 KGS powder fire extinguisher
- Hydraulic system with P.T.O., safety fuse and buzzer
- Chromed and galvanised multistage under floor ram, wear resistant, weather resistant and rust resistant with safety valve
- Cataphoresis treatment and powder coating
- Lights and tables according to regulations

**Supply and mounting of Palfinger PK5001 B crane (3 hydraulic extensions)**

NOTE: The information and images - including the colors of the products - concerning equipment, external appearance, measurements, etc. are to be considered purely indicative and in no way binding. TITAN reserves the right to change features, specifications, data, prices without notice. The prices indicated on the Site are in no way binding for contractual purposes and may vary according to the duration of the price list. Prices are always VAT free. For updated and punctual information on products and prices, TITAN invites users to contact its sales network.

## Steel rear tipper with Palfinger PK5001 B crane



Code	Boards	External Dimensions
M 155 025 816 - M30 B*	Fratted steel	3800x2300 mm

- Steel sideboards from 500 mm top opening only
- Steel tailgate from 500 mm with double opening and automatic release

- Loading deck structure in S355JR steel th. 4 mm
- Steel subframe
- Steel front board from 500 mm with ladder rack and perforated protection panel
- Steel Side and rear boards from 500 mm
- Front and rear pillars screwed and removable with integrated foldaway
- Recessed foldway rope stretching ring (4+4)
- Removable rear ladder rack
- Thermoplastic mudguards
- Tool box
- Homologated side guards
- 2 KGS powder fire extinguisher
- 2 wheel stop wedges with support
- Hydraulic system with P.T.O., safety fuse and buzzer
- Chromed and galvanised multistage under floor ram, wear resistant, weather resistant and rust resistant with safety valve
- Cataphoresis treatment and powder coating
- Lights and tables according to regulations

**Supply and mounting of Palfinger PK5001 B crane (3 hydraulic extensions)**  
\* Available while stocks last

NOTE: The information and images - including the colors of the products - concerning equipment, external appearance, measurements, etc. are to be considered purely indicative and in no way binding. TITAN reserves the right to change features, specifications, data, prices without notice. The prices indicated on the Site are in no way binding for contractual purposes and may vary according to the duration of the price list. Prices are always VAT free. For updated and punctual information on products and prices, TITAN invites users to contact its sales network.



## Steel rear tipper

Code	Boards	External Dimensions
M 155 025 410 - M30 B*	Fratted steel	3800x2300 mm

Steel sideboards from 500 mm top opening only

Steel tailgate from 500 mm with double opening and automatic release

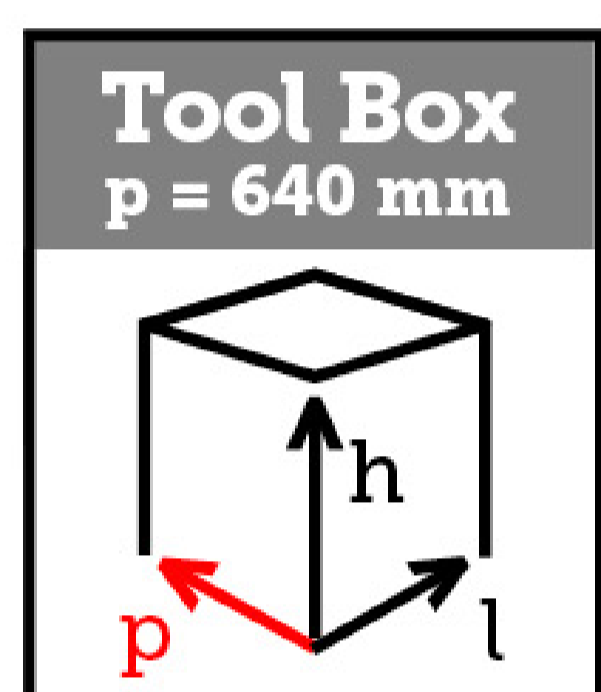
- Loading deck structure in S355JR steel th. 4 mm
- Steel subframe
- Steel front board from 500 mm with ladder rack and perforated protection panel
- Steel Side and rear boards from 500 mm
- Front and rear pillars screwed and removable with integrated foldaway
- Recessed foldway rope stretching ring (4+4)
- Removable rear ladder rack
- Thermoplastic mudguards
- Tool box
- Homologated side guards
- 2 KGS powder fire extinguisher
- 2 wheel stop wedges with support
- Hydraulic system with P.T.O., safety fuse and buzzer
- Chromed and galvanised multistage under floor ram, wear resistant, weather resistant and rust resistant with safety valve
- Cataphoresis treatment and powder coating
- Lights and tables according to regulations

\* Available while stocks last



NOTE: The information and images - including the colors of the products - concerning equipment, external appearance, measurements, etc. are to be considered purely indicative and in no way binding. TITAN reserves the right to change features, specifications, data, prices without notice. The prices indicated on the Site are in no way binding for contractual purposes and may vary according to the duration of the price list. Prices are always VAT free. For updated and punctual information on products and prices, TITAN invites users to contact its sales network.

## Steel rear tipper with retrocab storage box H. 1200 mm



Code	Boards	External Dimensions
M 155 025 462 - M30 B*	Fratted steel	3800x2300 mm

Steel sideboards from 500 mm top opening only

Steel tailgate from 500 mm with double opening and automatic release

Loading deck structure in S355JR steel th. 4 mm

Steel subframe

Steel front board from 500 mm with ladder rack and perforated protection panel

Steel Side and rear boards from 500 mm

Front and rear pillars screwed and removable with integrated foldaway

Recessed foldway rope stretching ring (4+4)

Removable rear ladder rack

Thermoplastic mudguards

Tool box

Homologated side guards

2 KGS powder fire extinguisher

2 wheel stop wedges with support

Hydraulic system with P.T.O., safety fuse and buzzer

Chromed and galvanised multistage under floor ram, wear resistant, weather resistant and rust resistant with safety valve

Cataphoresis treatment and powder coating

Lights and tables according to regulations

**Supply and Mounting of retrocab storage box ext. dimensions 640x1200x1950 mm of 2 mm width steel, painted with epoxy powder white ISUZU colour, plastic internal mat, aluminium hinges, central shelf bracket, double opening, locks euroinox.**

**\* Available while stocks last**

NOTE: The information and images - including the colors of the products - concerning equipment, external appearance, measurements, etc. are to be considered purely indicative and in no way binding.

TITAN reserves the right to change features, specifications, data, prices without notice. The prices indicated on the Site are in no way binding for contractual purposes and may vary according to the duration of the price list. Prices are always VAT free.

For updated and punctual information on products and prices, TITAN invites users to contact its sales network.

## Steel rear tipper with FASSI F50A.0.23 crane



Code	Boards	External Dimensions
M 155 025 814 - M30 B*	Fratted steel	3800x2300 mm

- Steel sideboards from 500 mm top opening only
- Steel tailgate from 500 mm with double opening and automatic release



- Loading deck structure in S355JR steel th. 4 mm
- Steel subframe
- Steel front board from 500 mm with ladder rack and perforated protection panel
- Steel Side and rear boards from 500 mm
- Front and rear pillars screwed and removable with integrated foldaway
- Recessed foldway rope stretching ring (4+4)
- Removable rear ladder rack
- Thermoplastic mudguards
- Tool box
- Homologated side guards
- 2 KGS powder fire extinguisher
- 2 wheel stop wedges with support
- Hydraulic system with P.T.O., safety fuse and buzzer
- Chromed and galvanised multistage under floor ram, wear resistant, weather resistant and rust resistant with safety valve
- Cataphoresis treatment and powder coating
- Lights and tables according to regulations

**Supply and mounting of FASSI F50A.O.23 crane (3 hydraulic extensions)**  
\* Available while stocks last

NOTE: The information and images - including the colors of the products - concerning equipment, external appearance, measurements, etc. are to be considered purely indicative and in no way binding. TITAN reserves the right to change features, specifications, data, prices without notice. The prices indicated on the Site are in no way binding for contractual purposes and may vary according to the duration of the price list. Prices are always VAT free. For updated and punctual information on products and prices, TITAN invites users to contact its sales network.

## Steel 3way tipper



Code	Boards	External Dimensions
M 155 022 454 - M30 B	Fratted steel	3800x2300 mm

Steel sideboards from 500 mm top opening only

Steel tailgate from 500 mm with double opening and automatic release

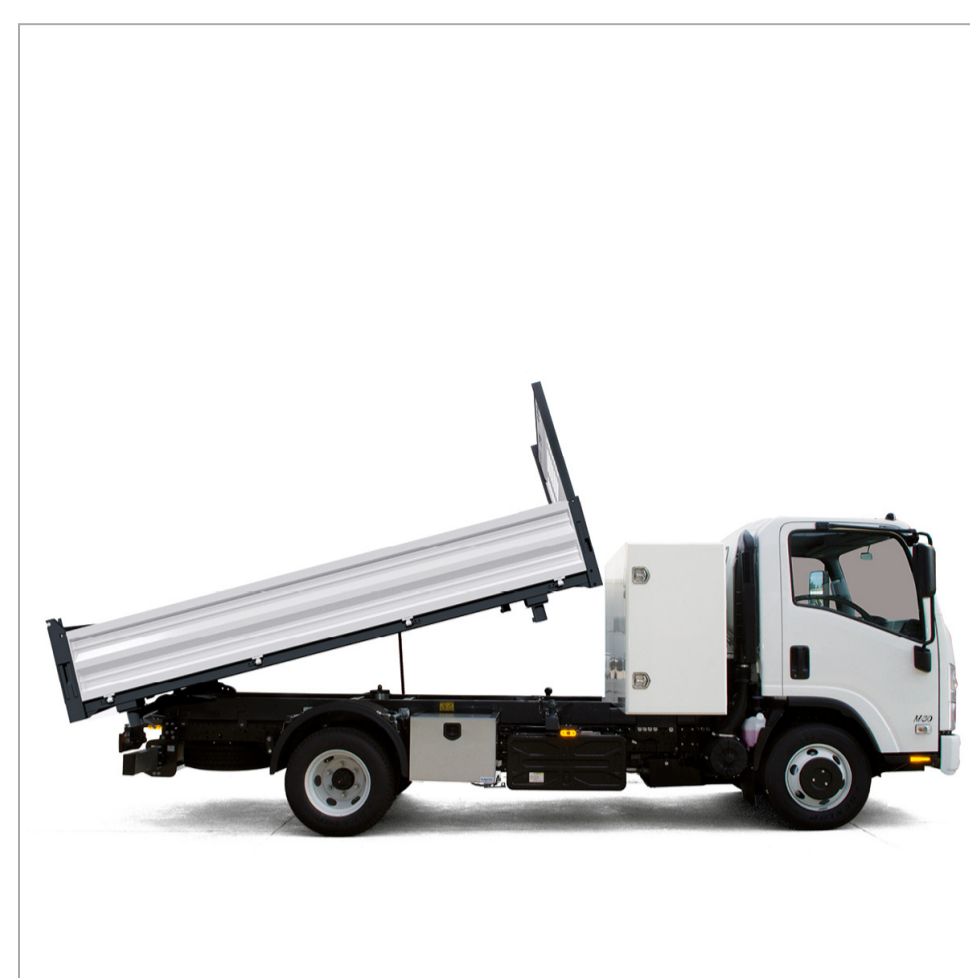
- Loading deck structure in S355JR steel th. 4 mm
- Steel subframe with horizontal spheres
- Steel front board from 500 mm with ladder rack and perforated protection panel
- Steel Side and rear boards from 500 mm in steel
- Front and rear pillars screwed and removable with integrated foldaway
- Recessed foldway rope stretching ring (4+4)
- Removable rear ladder rack
- Steel spheres supports with anti-vibration PVC cap
- Thermoplastic mudguards
- Tool box
- Homologated side guards
- 2 KGS powder fire extinguisher
- 2 wheel stop wedges with support
- Hydraulic system with P.T.O., safety fuse and buzzer
- Chromed and galvanised multistage under floor ram, wear resistant, weather resistant and rust resistant with safety valve
- Cataphoresis treatment and powder coating
- Lights and tables according to regulations

NOTE: The information and images - including the colors of the products - concerning equipment, external appearance, measurements, etc. are to be considered purely indicative and in no way binding.

TITAN reserves the right to change features, specifications, data, prices without notice. The prices indicated on the Site are in no way binding for contractual purposes and may vary according to the duration of the price list. Prices are always VAT free.

For updated and punctual information on products and prices, TITAN invites users to contact its sales network.

## Steel 3way tipper with retrocab storage box H. 1200 mm



Code	Boards	External Dimensions
M 155 022 577 - M30 B	Fratted steel	3800x2300 mm

Steel sideboards from 500 mm top opening only

Steel tailgate from 500 mm with double opening and automatic release

Loading deck structure in S355JR steel th. 4 mm

Steel subframe with horizontal spheres

Steel front board from 500 mm with ladder rack and perforated protection panel

Steel Side and rear boards from 500 mm in steel

Front and rear pillars screwed and removable with integrated foldaway

Recessed foldway rope stretching ring (4+4)

Removable rear ladder rack

Steel spheres supports with anti-vibration PVC cap

Thermoplastic mudguards

Tool box

Homologated side guards

2 KGS powder fire extinguisher

2 wheel stop wedges with support

Hydraulic system with P.T.O., safety fuse and buzzer

Chromed and galvanised multistage under floor ram, wear resistant, weather resistant and rust resistant with safety valve

Cataphoresis treatment and powder coating

Lights and tables according to regulations

**Supply and Mounting of retrocab storage box ext. dimensions 640x1200x1950 mm of 2 mm width steel, painted with epoxy powder white ISUZU colour, plastic internal mat, aluminium hinges, central shelf bracket, double opening, locks euroinox.**



NOTE: The information and images - including the colors of the products - concerning equipment, external appearance, measurements, etc. are to be considered purely indicative and in no way binding.

TITAN reserves the right to change features, specifications, data, prices without notice. The prices indicated on the Site are in no way binding for contractual purposes and may vary according to the duration of the price list. Prices are always VAT free.

For updated and punctual information on products and prices, TITAN invites users to contact its sales network.

## Steel 3way tipper with FASSI F50A.0.23 crane



Code	Boards	External Dimensions
M 155 023 413 - M30 B	Fratted steel	3800x2300 mm

Steel sideboards from 500 mm top opening only

Steel tailgate from 500 mm with double opening and automatic release

- Loading deck structure in S355JR steel th. 4 mm
- Steel subframe with horizontal spheres
- Steel front board from 500 mm with ladder rack and perforated protection panel
- Side and rear boards from 500 mm in steel
- Front and rear pillars screwed and removable with integrated foldaway
- Recessed foldway rope stretching ring (4+4)
- Removable rear ladder rack
- Steel spheres supports with anti-vibration PVC cap
- Thermoplastic mudguards
- Tool box
- Homologated side guards
- 2 KGS powder fire extinguisher
- 2 wheel stop wedges with support
- Hydraulic system with P.T.O., safety fuse and buzzer
- Chromed and galvanised multistage under floor ram, wear resistant, weather resistant and rust resistant with safety valve
- Cataphoresis treatment and powder coating
- Lights and tables according to regulations

**Supply and mounting of FASSI F50A.O.23 crane (3 hydraulic extensions)**



NOTE: The information and images - including the colors of the products - concerning equipment, external appearance, measurements, etc. are to be considered purely indicative and in no way binding. TITAN reserves the right to change features, specifications, data, prices without notice. The prices indicated on the Site are in no way binding for contractual purposes and may vary according to the duration of the price list. Prices are always VAT free. For updated and punctual information on products and prices, TITAN invites users to contact its sales network.



**Double  
Rails**

**850 - 1060**



## Hooklift Guima-Palfinger T05 double rails with stabilizer roller

Code

M 155 070 071 - M30 B

Equipment length = 3300 mm

Width of rails double = 850 - 1060 mm

Height of hook = 920 mm

Stabilizer Roll

Container length (without anchor hook) = 3500 mm

### STANDARD EQUIPMENT:

- Oil tank
- Control panel into cab
- Thermoplastic mudguards
- Tool box
- Adjustable rear work light
- Signaling devices compliant with the highway code
- Homologated side guards
- 2 KGS powder fire extinguisher in the cabin
- 2 wheel stop wedges with support
- Stabilizer roller
- Hydraulic system with P.T.O., safety fuse and buzzer
- CE certificate of conformity
- Lights according to regulations

NOTE: The information and images - including the colors of the products - concerning equipment, external appearance, measurements, etc. are to be considered purely indicative and in no way binding.  
TITAN reserves the right to change features, specifications, data, prices without notice. The prices indicated on the Site are in no way binding for contractual purposes and may vary according to the duration of the price list. Prices are always VAT free.  
For updated and punctual information on products and prices, TITAN invites users to contact its sales network.

## Hooklift Guima-Palfinger T05 double rails



**Double  
Rails**

**850 - 1060**



Code
M 155 070 056 - M30 B
Equipment length = 3600 mm
Width of rails double = 850 - 1060 mm
Height of hook = 920 mm
Container length (without anchor hook) = 3800 mm

- STANDARD EQUIPMENT:**
- Oil tank
  - Control panel into cab
  - Thermoplastic mudguards
  - Tool box
  - Adjustable rear work light
  - Signaling devices compliant with the highway code
  - Homologated side guards
  - 2 KGS powder fire extinguisher in the cabin
  - 2 wheel stop wedges with support
  - Hydraulic system with P.T.O., safety fuse and buzzer
  - CE certificate of conformity
  - Lights according to regulations

NOTE: The information and images - including the colors of the products - concerning equipment, external appearance, measurements, etc. are to be considered purely indicative and in no way binding. TITAN reserves the right to change features, specifications, data, prices without notice. The prices indicated on the Site are in no way binding for contractual purposes and may vary according to the duration of the price list. Prices are always VAT free. For updated and punctual information on products and prices, TITAN invites users to contact its sales network.